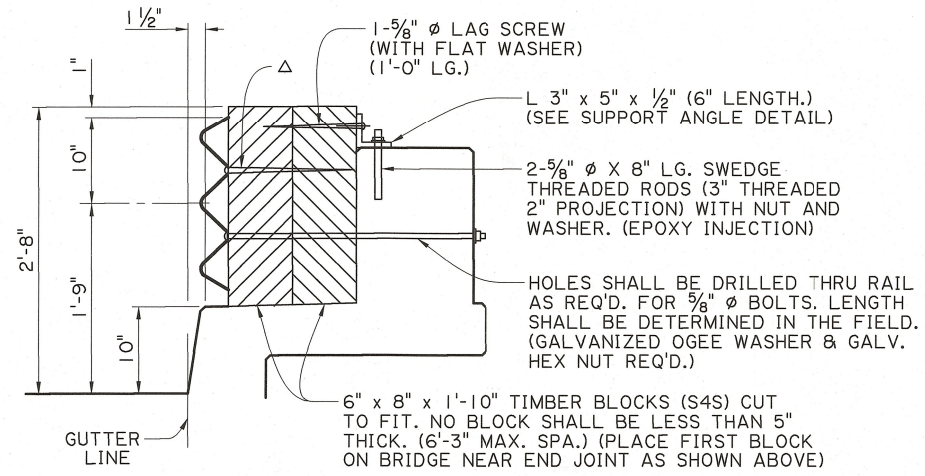


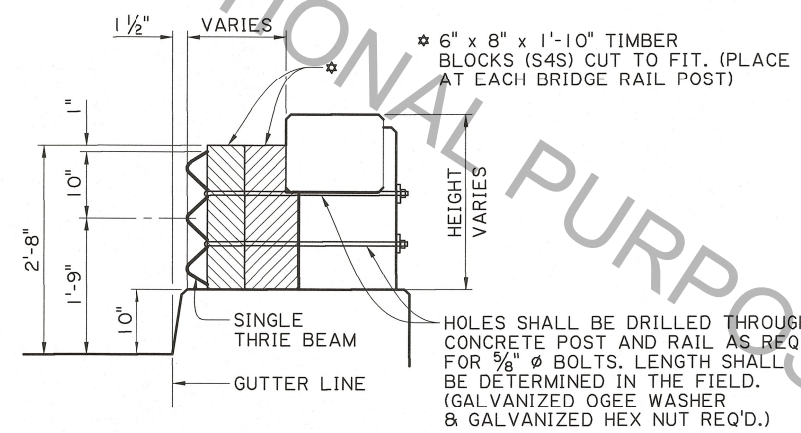
(MOUNT TO TOP OF RAIL FOR BLOCK BACKUP) THE HOLES MAY BE OFFSET TO ACHIEVE INSTALLATION BUT THE 1 1/2" EDGE DISTANCE SHALL BE MAINTAINED.

SUPPORT ANGLE

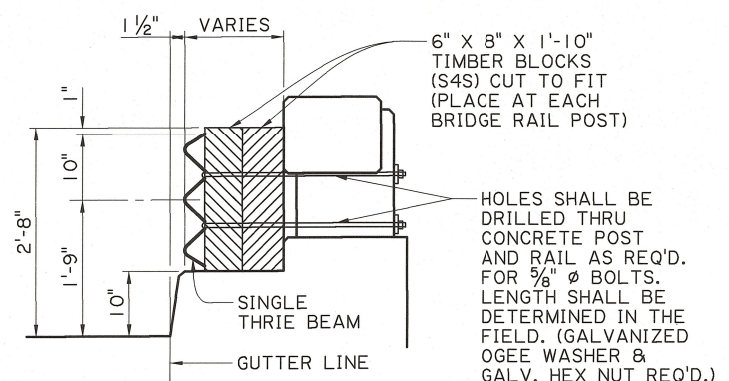
△ 5/8" Ø LAG SCREW (WITH PLATE WASHER) SHALL PENETRATE TO THE BACK OF THE REAR BLOCK (LENGTH TO BE DETERMINED IN THE FIELD)



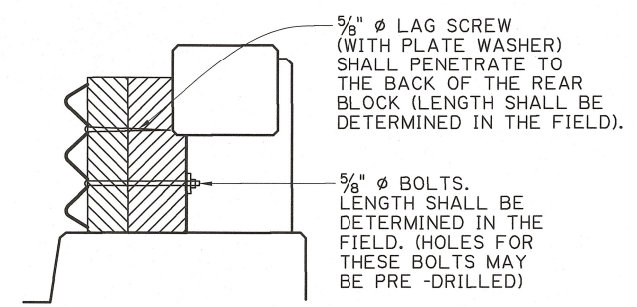
SECTION A-A  
SOLID WALL RAILING



SECTION A-A  
POST AND RAIL BRIDGE RAIL



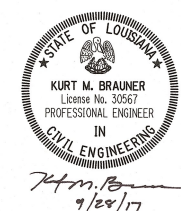
SECTION A-A  
POST AND RAIL BRIDGE RAIL



VIEW AT GUARD RAIL SPLICES

NOTES:

- FOR ADDITIONAL INFORMATION ON GUARD RAIL, SEE STANDARD PLANS FOR HIGHWAY GUARD RAIL (MASH).
- ALL MATERIALS AND LABOR REQ'D. TO PLACE THE GUARD RAIL THRU THE BRIDGE SHALL BE PAID FOR UNDER ITEM 704-01-01020
- FOR CURB & TRANSITION INFORMATION, SEE STANDARD PLANS FOR HIGHWAY GUARD RAIL (MASH), SHEET 3 OF 11.
- EXISTING HANDRAIL SHALL BE REMOVED AND DISPOSED OF BY THE CONTRACTOR AS DIRECTED BY THE PROJECT ENGINEER.
- ALL HOLES (VERTICAL OR HORIZONTAL) DRILLED INTO AN EXISTING CONCRETE STRUCTURE SHALL BE 3/4" IN DIA. THEY SHALL BE CLEANED WITH COMPRESSED AIR AND MADE FREE OF ANY OIL OR RESIDUE. HOLES SHALL BE FILLED WITH EPOXY INJECTION SYSTEM AS LISTED ON APPROVED MATERIALS LIST, PRODUCT CATEGORY 'CONCRETE ANCHOR SYSTEMS.' PLACE ROD IN HOLE IMMEDIATELY AND WAIT FOR THE MANUFACTURERS CURE TIME.
- THE LOWER BOLTS IN THE GUARD RAIL AT EACH POST SHALL BE ON THE ONCOMING TRAFFIC SIDE.
- IF TIMBER BLOCKS ARE LESS THAN 3" ABOVE THE CONCRETE RAIL IN THE SOLID RAIL ALTERNATE, THE METHOD SHOWN IN THE POST AND RAIL BRIDGE RAIL ALTERNATE SHALL BE UTILIZED.
- THE LENGTHS OF THE LAG SCREWS SHALL BE VERIFIED BY THE PROJECT ENGINEER BEFORE INSTALLATION TO ACHIEVE THE PENETRATION CALLED FOR IN THE SOLID WALL ALTERNATE.
- IF APPROACH SLAB FLARES EXIST, A 1'-0" X 1'-0" HOLE SHALL BE CUT THRU THE CONCRETE IN THE PROPER LOCATION TO INSTALL POST. AFTER POST IS IN PLACE, COMPACT SOIL AROUND POST AND REDRESS THE SLAB WITH CONCRETE TO THE FINISHED ELEVATION. (NO DIRECT PAY).
- ALL 5/8" Ø BOLTS SHALL BE ASTM A307.



SHEET NUMBER	PARISH	CONTROL SECTION	STATE PROJECT
DESIGNED	FOSSIER	DRAWN	REVIEWED
CHECKED	C. GAUDRY	CHECKED	K. BRAUNER
DATE		DATE	
NO.		NO.	
DATE		DATE	
REVISION OR CHANGE		ORDER DESCRIPTION	
GUARD RAIL CONTINUOUS ACROSS BRUSH CURB BRIDGE RAIL (TIMBER POST OPTION) FOR USE WITH HIGHWAY GUARD RAIL (MASH) BD.2.6.5.2.14			
BRIDGE AND STRUCTURAL DESIGN			